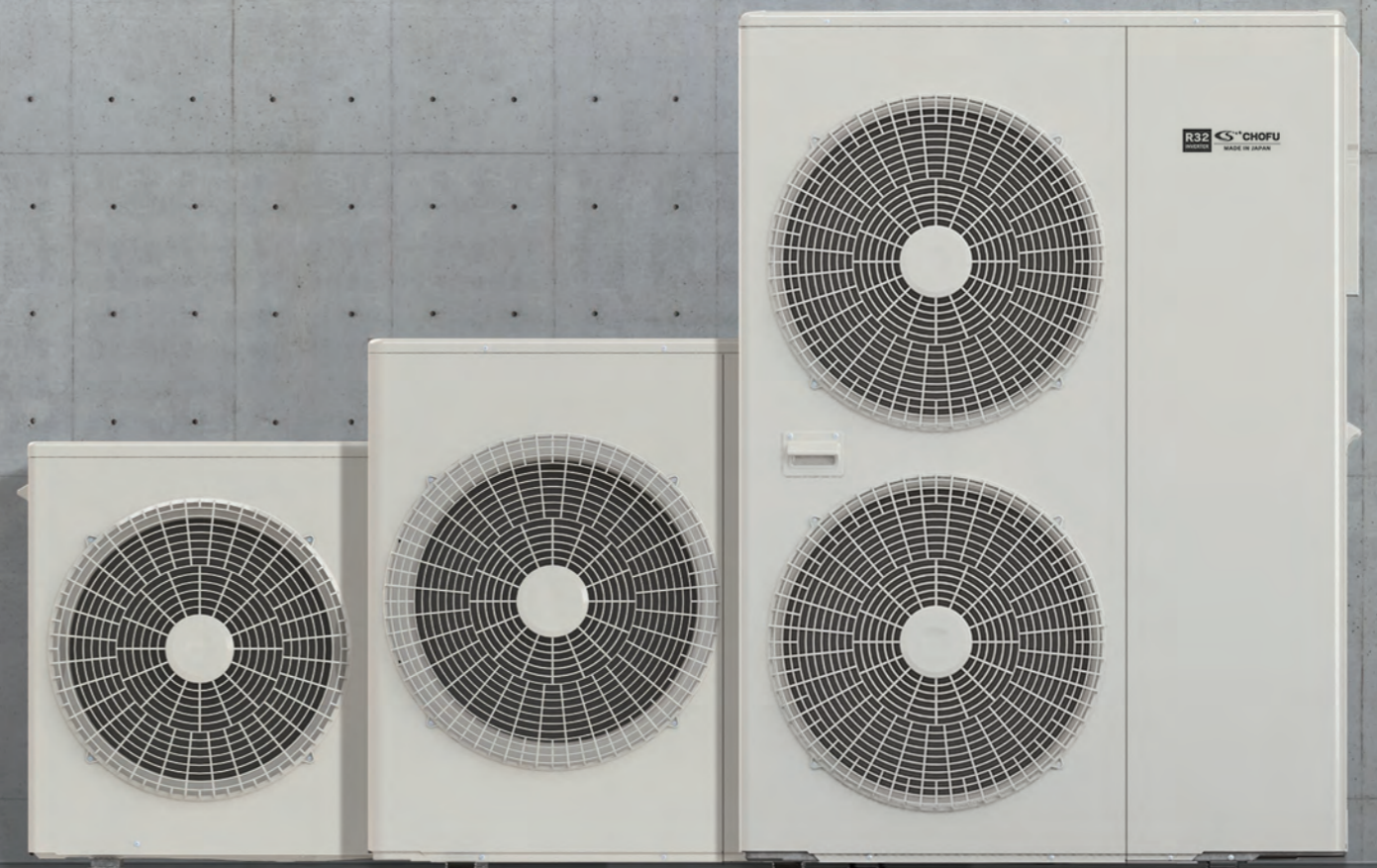


AIR TO WATER HEAT PUMP SYSTEMS

COOLING & HEATING



ISO 9001
JISQ 9901



OS Accreditation
R004

REGISTERED NO.
JQ 0065C



CHOFU SEISAKUSHO CO., LTD.
2-1 CHOFU OHGIMACHI, SHIMONOSEKI C.,
YAMAGUCHI PREF., 752-8555, JAPAN
URL: <https://www.chofu.co.jp/>

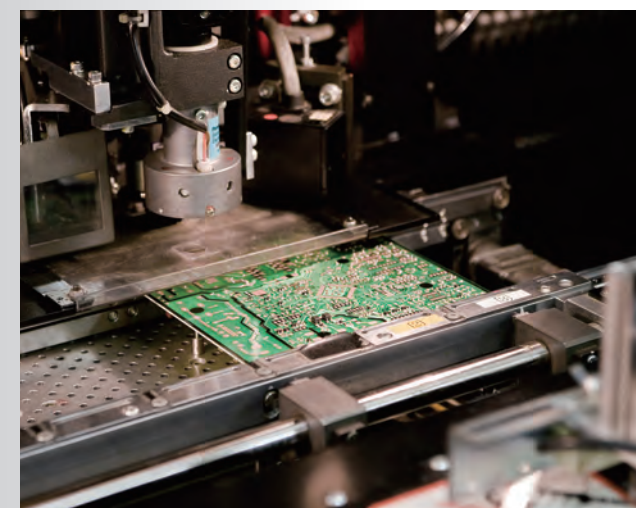
MONOBLOC TYPE

The world is yet to discover another quality products from Japan.
Dependable and long-lasting
CHOFU "AIR TO WATER HEAT PUMP SYSTEMS" are now available for your comfort and luxury.



" CHOFU " is Made In Japan.

CHOFU has continued to manufacture air to water heat pump systems in Japan. Superb technology coupled with state-of-the-art production equipment has ensured excellent quality. You will be more than satisfied with quality and craftsmanship you can expect only from CHOFU.



FEATURES

COMPONENTS

DC INVERTER

DC inverter control responds promptly and provides most appropriate capacity load corresponding to heating/cooling demand.



DC PUMP

High-efficiency DC pump saves energy and promises stable and sustainable water flow.



DC TWIN ROTARY COMPRESSOR

High-efficiency DC twin rotary compressor achieves highest smooth performance with quiet operation.



PLATE WATER HEAT EXCHANGER

Renowned heat exchanger promises high-efficiency heat transfer.



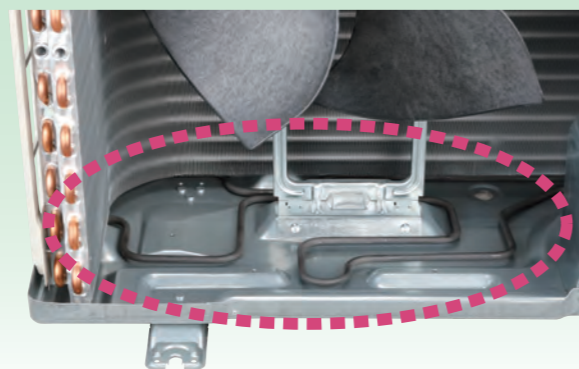
DC FAN MOTOR

High-efficiency DC fan motor saves energy and provides smooth and quiet operation.

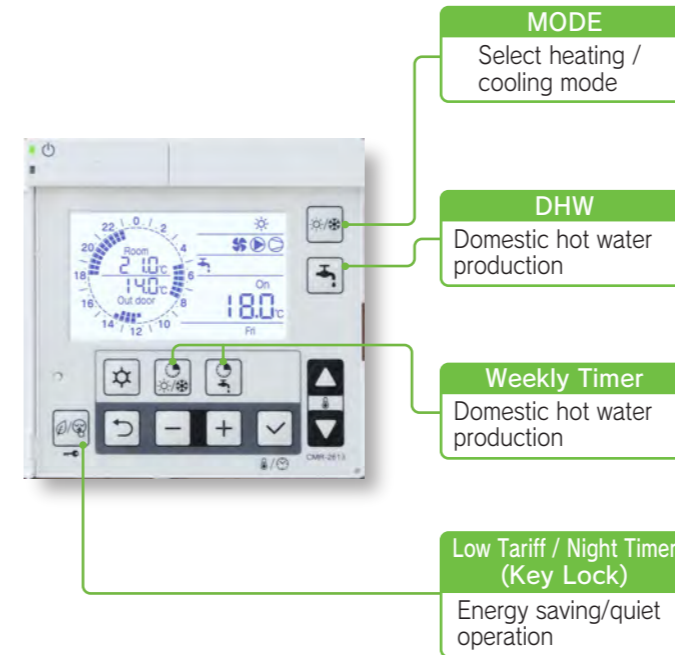


ANTI-FREEZING HEATER

Built-in anti-freezing heater prevents drain water from freezing on the base of unit.



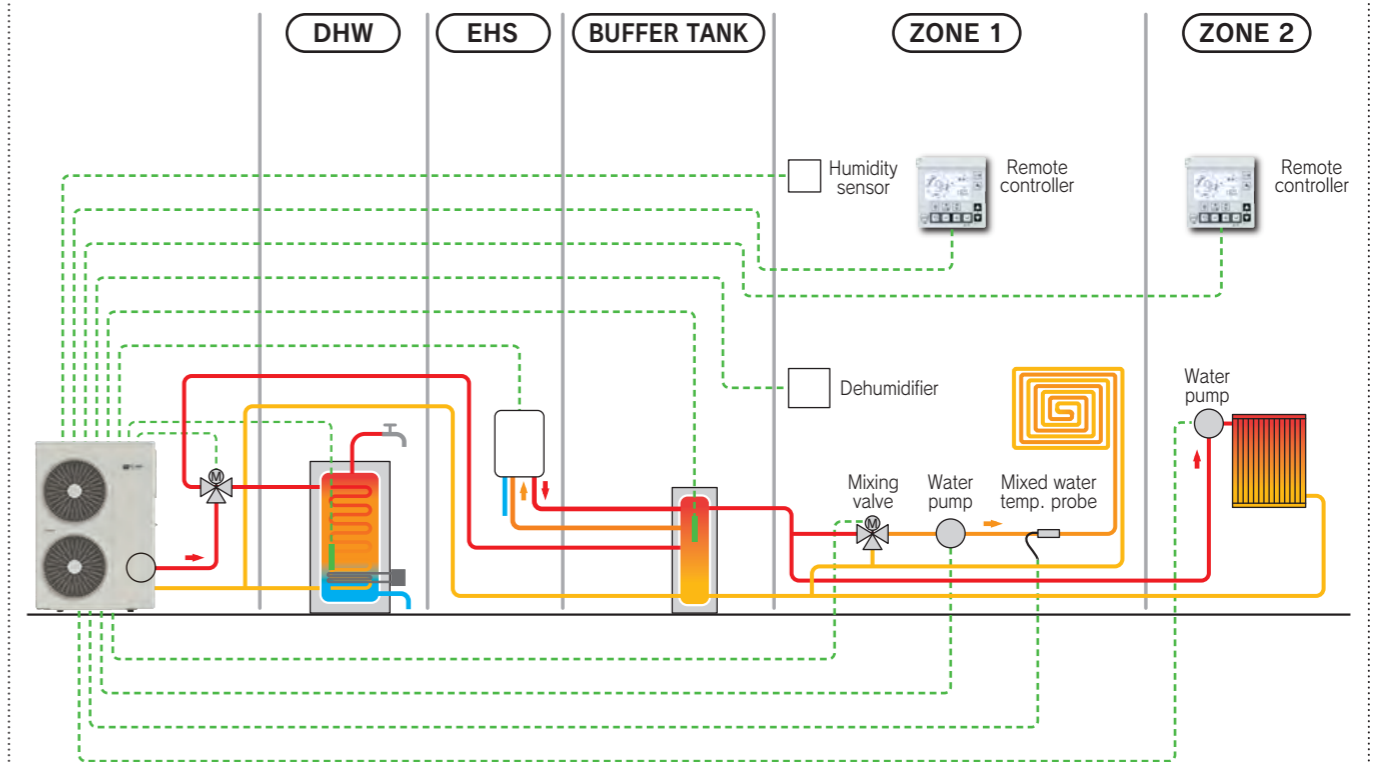
REMOTE CONTROLLER



FUNCTION

- Climatic curve setting (heating & cooling)
 - Low tariff mode
 - Night mode (quiet operation)
 - Weekly Timer Operation (Time band control)
- Timer for Economy / comfort mode
[Example] Comfort ON
- ① 05:15~07:30
 - ② 11:30~12:45
 - ③ 18:30~23:00
- Anti-legionella
 - Frost protection

SYSTEM CONFIGURATION



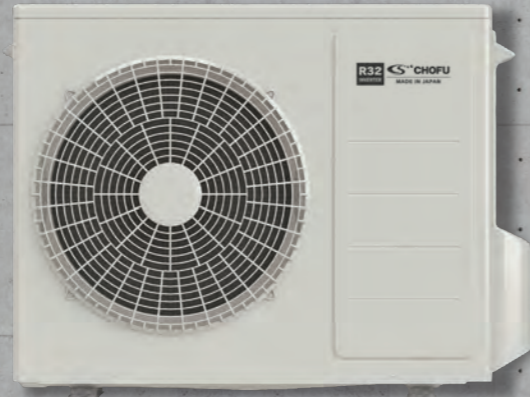
Remote controller and built-in control PCB enables to control various combinations of space heating / cooling and domestic hot water supply.

PRODUCT

● Made In Japan

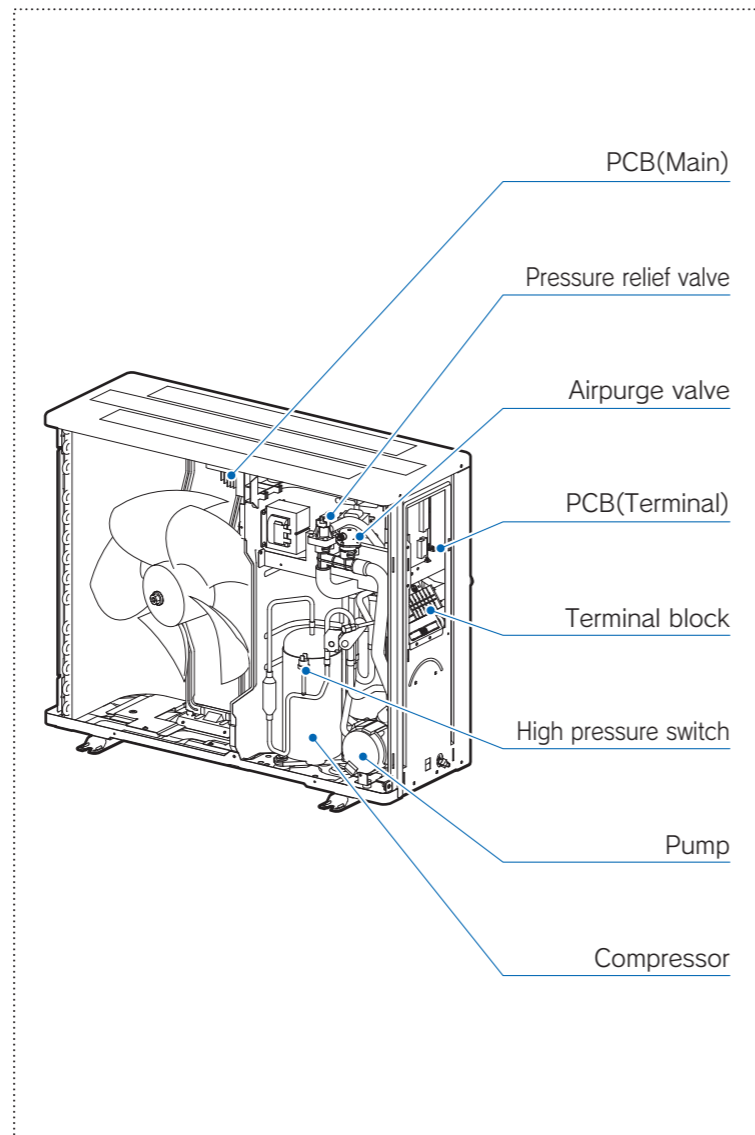
R32 **A++** **A+++**
55 °C 35 °C

AEYC-0643XU
6kW



SPECIFICATIONS

Model		AEYC-0643XU
Power Supply (Single Phase)		230V 50Hz
Average Low Temperature SCOP		4.7
Average High Temperature SCOP		3.2
Heating (A7W35)	Capacity (Rated)	6.0kW
	Power Input	1.43kW
	Running Current	6.3A (Max. 11.2A)
	Power Factor	96%
	COP	4.20
Water Circulation		17.2L/min
Heating (A7W45)	Capacity (Rated)	5.6kW
	Power Input	1.75kW
	COP	3.20
Water Circulation		16.1L/min
Cooling (A35W18)	Capacity (Rated)	5.0kW
	Power Input	1.28kW
	Running Current	5.6A (Max. 8.1A)
	Power Factor	96%
	EER	3.91
Water Circulation		14.3L/min
Cooling (A35W7)	Capacity (Rated)	3.75kW
	Power Input	1.38kW
	EER	2.72
	Water Circulation	10.8L/min
Noise Level (Sound Pressure)	Heating	49dB(A)
	Cooling	47dB(A)
Water Circulation	Max	20L/min
	Min	5L/min
Refrigerant Amount		0.80kg
Max Current		11.2A
Max Pressur (Refrigerant)	Discharge	4.2MPa
	Suction	1.8MPa
Operating Pressur (Water)	Rated	1.0Bar
	Max	3.0Bar
Water Capacity		1.0L
Dimensions (H×W×D)	Net	675×825×300mm
	Gross	760×990×430mm
Weight	Net	50 kg
	Gross	54kg
Water Pipe Connection	Outgoing	Φ20
	Return	Φ20
Operating Range	Heating	-20 ~ 43°C
	Cooling	8 ~ 43°C
Leaving Water Temperature	Heating	~ 60°C
	Cooling	6.5°C ~



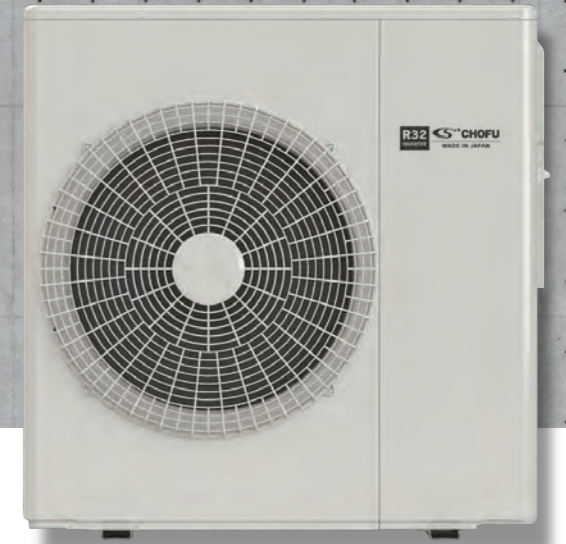
※Specifications are subject to change without prior notice.

PRODUCT

● Made In Japan

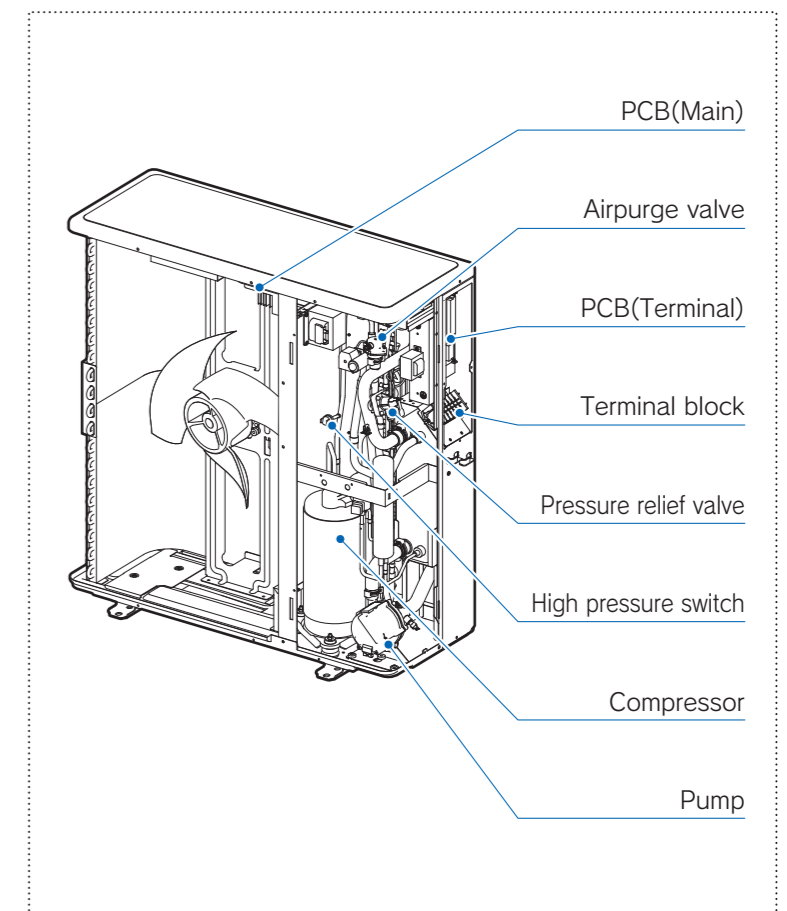
R32 **A++** **A+++**
55 °C 35 °C

AEYC-1043XU
10kW



SPECIFICATIONS

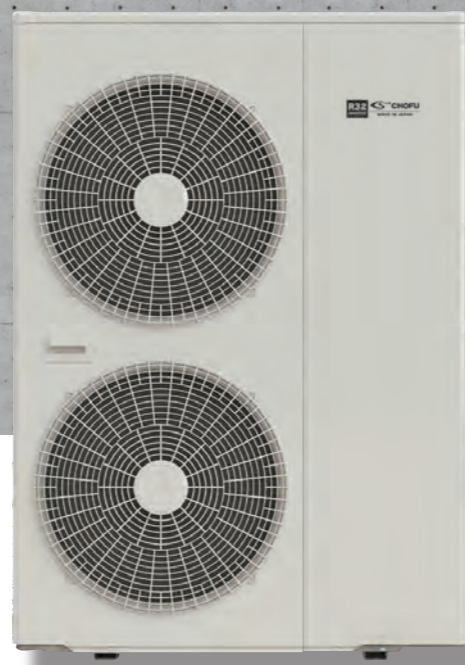
Model		AEYC-1043XU
Power Supply (Single Phase)		230V 50Hz
Average Low Temperature SCOP		4.8
Average High Temperature SCOP		3.2
Heating (A7W35)	Capacity (Rated)	10.0kW
	Power Input	2.28kW
	Running Current	10.1A (Max. 17.5A)
	Power Factor	99%
	COP	4.39
Water Circulation		28.7L/min
Heating (A7W45)	Capacity (Rated)	9.8kW
	Power Input	2.88kW
	COP	3.40
Water Circulation		28.1L/min
Cooling (A35W18)	Capacity (Rated)	8.0kW
	Power Input	2.28kW
	Running Current	10.0A (Max. 11.6A)
	Power Factor	99%
	EER	3.51
Water Circulation		22.9L/min
Cooling (A35W7)	Capacity (Rated)	5.00kW
	Power Input	1.89kW
	EER	2.65
	Water Circulation	14.3L/min
Noise Level (Sound Pressure)	Heating	53dB(A)
	Cooling	52dB(A)
Water Circulation	Max	30L/min
	Min	10L/min
Refrigerant Amount		1.55kg
Max Current		17.5A
Max Pressur (Refrigerant)	Discharge	4.2MPa
	Suction	1.8MPa
Operating Pressur (Water)	Rated	1.0Bar
	Max	3.0Bar
Water Capacity		1.8L
Dimensions (H×W×D)	Net	882×850×330mm
	Gross	960×1,055×480mm
Weight	Net	69 kg
	Gross	74kg
Water Pipe Connection	Outgoing	Φ25.4
	Return	Φ25.4
Operating Range	Heating	-20 ~ 43°C
	Cooling	8 ~ 43°C
Leaving Water Temperature	Heating	~ 60°C
	Cooling	6.5°C ~



※Specifications are subject to change without prior notice.

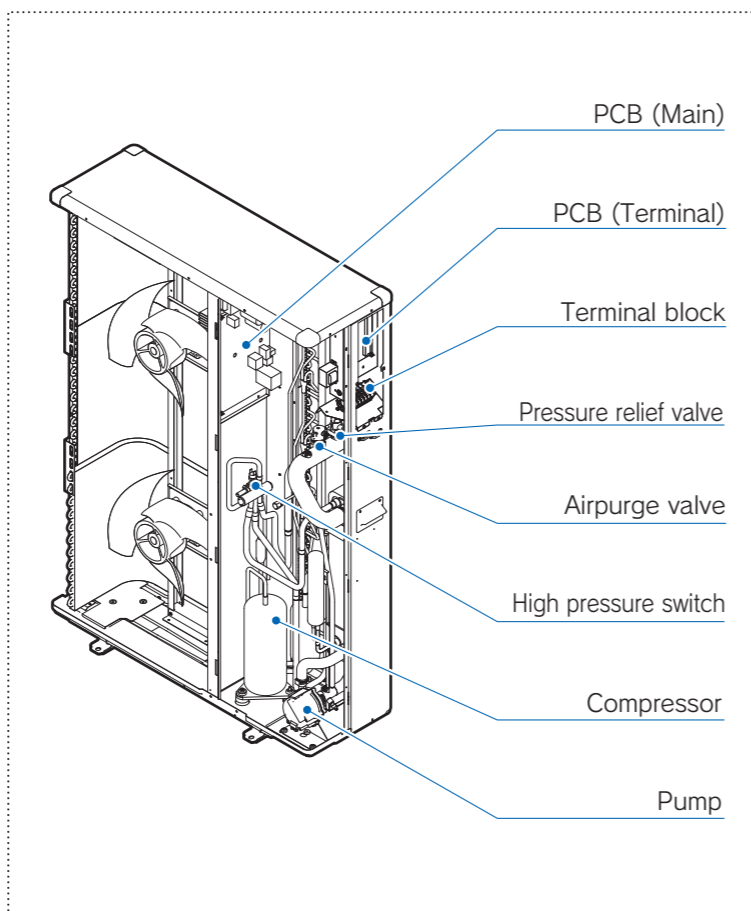
R32 **A++** **A+++**
55 °C 35 °C

AEYC-1242XU 12kW



SPECIFICATIONS

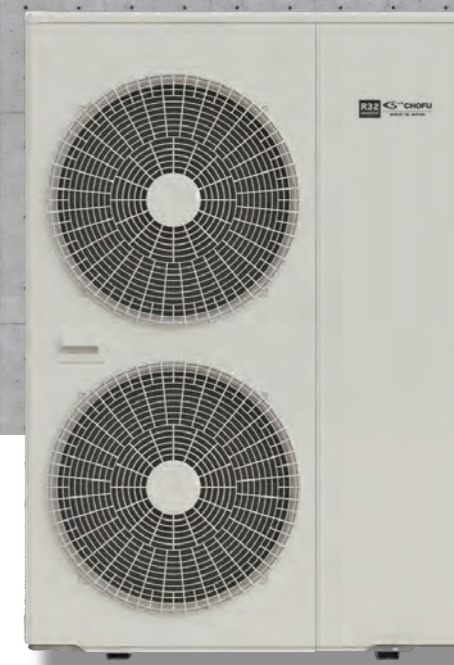
Model		AEYC-1242XU
Power Supply (Single Phase)		230V 50Hz
Average Low Temperature SCOP		4.7
Average High Temperature SCOP		3.2
Heating (A7W35)	Capacity (Rated)	12kW
	Power Input	2.79kW
	Running Current	12.2A (Max. 23.0A)
	Power Factor	99%
	COP	4.30
Heating (A7W45)	Water Circulation	34.4L/min
	Capacity (Rated)	11.0kW
	Power Input	3.33kW
Cooling (A35W18)	COP	3.30
	Water Circulation	31.6L/min
	Capacity (Rated)	12kW
	Power Input	3.16kW
	Running Current	13.8A (Max. 20.2A)
Cooling (A35W7)	Power Factor	99%
	EER	3.80
	Water Circulation	34.4L/min
	Capacity (Rated)	9.0kW
Noise Level (Sound Pressure)	Heating	51dB(A)
	Cooling	50dB(A)
Water Circulation	Max	40L/min
	Min	15L/min
Refrigerant Amount		2.20kg
Max Current		23.0A
Max Pressur (Refrigerant)	Discharge	4.2MPa
	Suction	1.5MPa
Operating Pressur (Water)	Rated	1.0bar
	Max	3.0bar
Water Capacity		2.0L
Dimensions (H×W×D)	Net	1,418×1,000×330mm
	Gross	1,610×1,120×470mm
Weight	Net	98kg
	Gross	111kg
Water Pipe Connection	Outgoing	φ35
	Return	φ35
Operating Range	Heating	-20 ~ 43°C
	Cooling	8 ~ 43°C
Leaving Water Temperature	Heating	~ 60°C
	Cooling	6.5°C~



※Specifications are subject to change without prior notice.

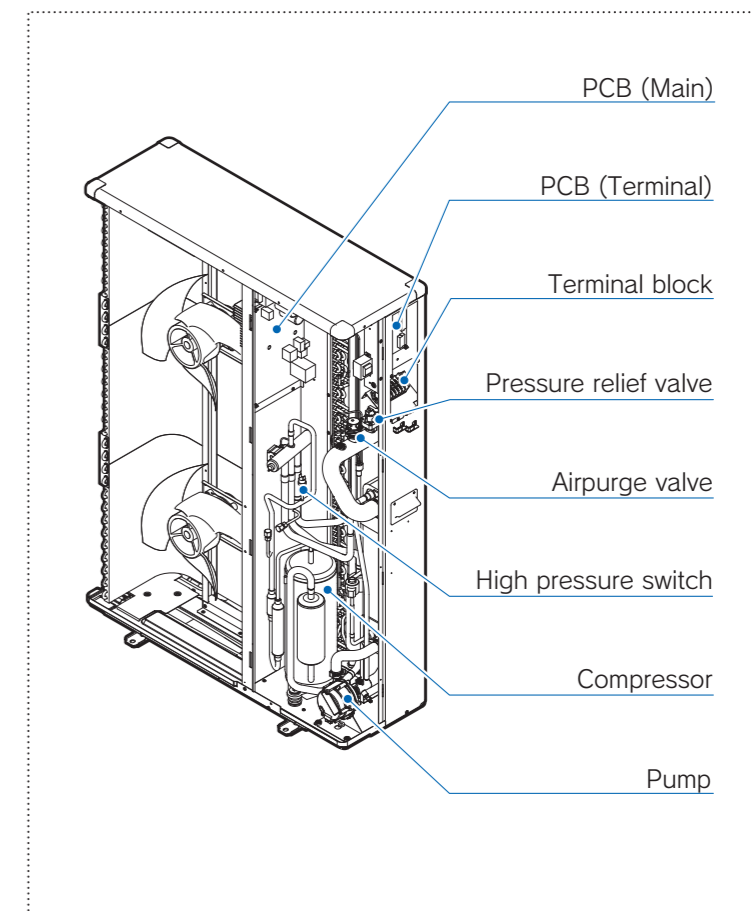
R32 **A++** **A+++**
55 °C 35 °C

AEYC-1643XU 16kW



SPECIFICATIONS

Model		AEYC-1643XU
Power Supply (Single Phase)		230V 50Hz
Average Low Temperature SCOP		4.5
Average High Temperature SCOP		3.2
Heating (A7W35)	Capacity (Rated)	16.0kW
	Power Input	3.72kW
	Running Current	16.3A (Max. 25.3A)
	Power Factor	99%
	COP	4.30
Heating (A7W45)	Water Circulation	45.9L/min
	Capacity (Rated)	14.5kW
	Power Input	4.40kW
Cooling (A35W18)	COP	3.30
	Water Circulation	41.6L/min
	Capacity (Rated)	16.0kW
	Power Input	4.10kW
	Running Current	17.8A (Max. 23.0A)
Cooling (A35W7)	Power Factor	99%
	EER	3.90
	Water Circulation	45.9L/min
	Capacity (Rated)	12.5kW
Noise Level (Sound Pressure)	Heating	51dB(A)
	Cooling	51dB(A)
Water Circulation	Max	50L/min
	Min	15L/min
Refrigerant Amount		2.80kg
Max Current		25.3A
Max Pressur (Refrigerant)	Discharge	4.2MPa
	Suction	1.7MPa
Operating Pressur (Water)	Rated	1.0Bar
	Max	3.0Bar
Water Capacity		2.0L
Dimensions (H×W×D)	Net	1,418×1,000×330mm
	Gross	1,610×1,120×470mm
Weight	Net	116 kg
	Gross	129kg
Water Pipe Connection	Outgoing	φ35
	Return	φ35
Operating Range	Heating	-20 ~ 43°C
	Cooling	8 ~ 43°C
Leaving Water Temperature	Heating	~ 60°C
	Cooling	6.5°C~



※Specifications are subject to change without prior notice.

PRODUCT

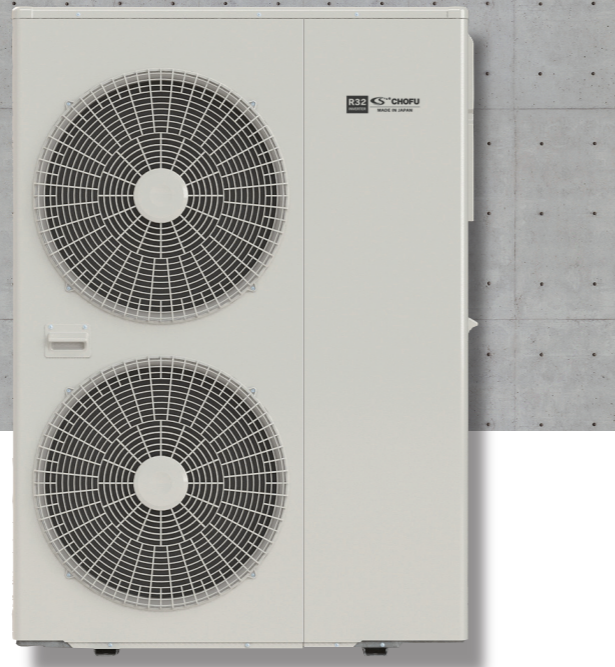
● Made In Japan

R32

A++
55 °C

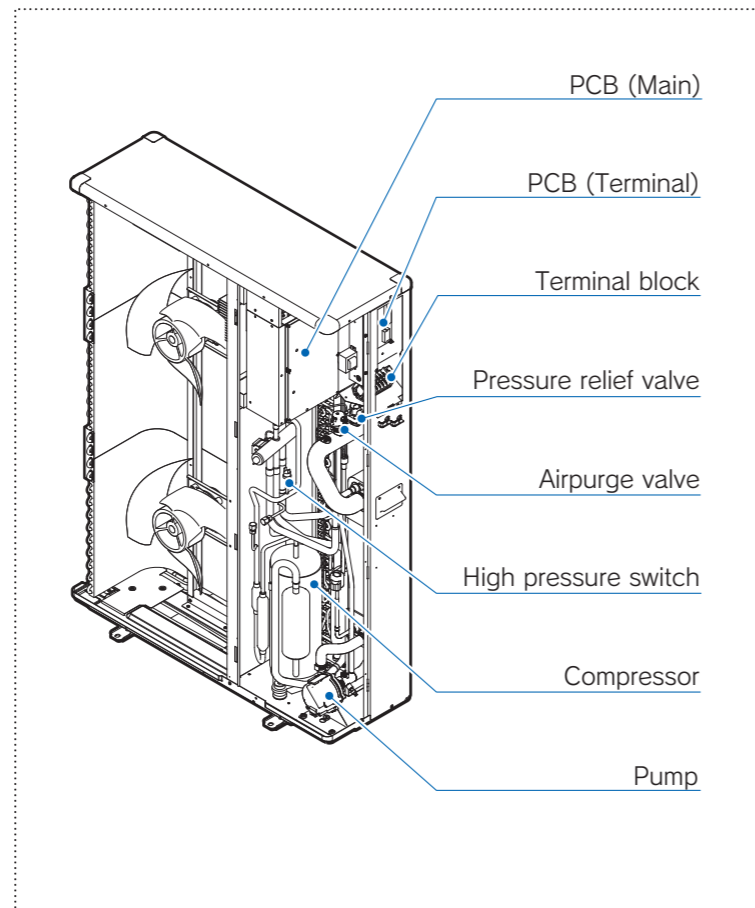
A+++
35 °C

AEYC-1642XU3 16kW Three Phase



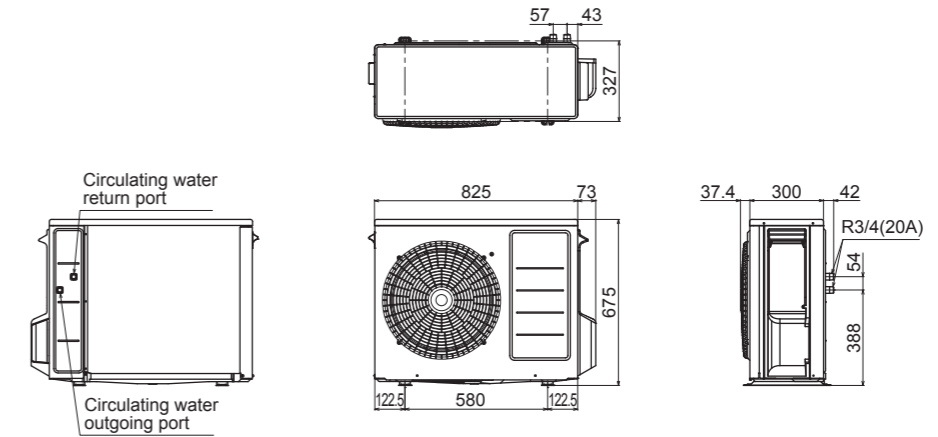
SPECIFICATIONS

Model		AEYC-1642XU3
Power Supply (Three Phase)		400V 50Hz
Average Low Temperature	SCOP	4.4
Average High Temperature	SCOP	3.3
Heating (A7W35)	Capacity (Rated)	16kW
	Power Input	3.90kW
	Running Current	6.0A (Max. 9.0A)
	Power Factor	99%
	COP	4.10
Heating (A7W45)	Water Circulation	45.9L/min
	Capacity (Rated)	14.5kW
	Power Input	4.50kW
Cooling (A35W18)	COP	3.22
	Water Circulation	41.6L/min
	Capacity (Rated)	16kW
	Power Input	4.10kW
	Running Current	5.7A (Max. 7.6A)
Cooling (A35W7)	Power Factor	99%
	EER	3.90
	Water Circulation	45.9L/min
	Capacity (Rated)	12.5kW
Noise Level (Sound Pressure)	Heating	51dB(A)
	Cooling	51dB(A)
	Max	50L/min
Water Circulation	Min	15L/min
	Refrigerant Amount	2.80kg
Max Current	Max Current	9.0A
	Max Pressur (Refrigerant)	Discharge
Suction		1.5MPa
Operating Pressur (Water)	Rated	1.0bar
	Max	3.0bar
Water Capacity	Net	2.0L
	Dimensions (H×W×D)	Net
Gross		1,610×1,120×470mm
Weight	Net	120kg
	Gross	135kg
Water Pipe Connection	Outgoing	φ35
	Return	φ35
Operating Range	Heating	-20 ~ 43°C
	Cooling	8 ~ 43°C
Leaving Water Temperature	Heating	~ 60°C
	Cooling	6.5°C~

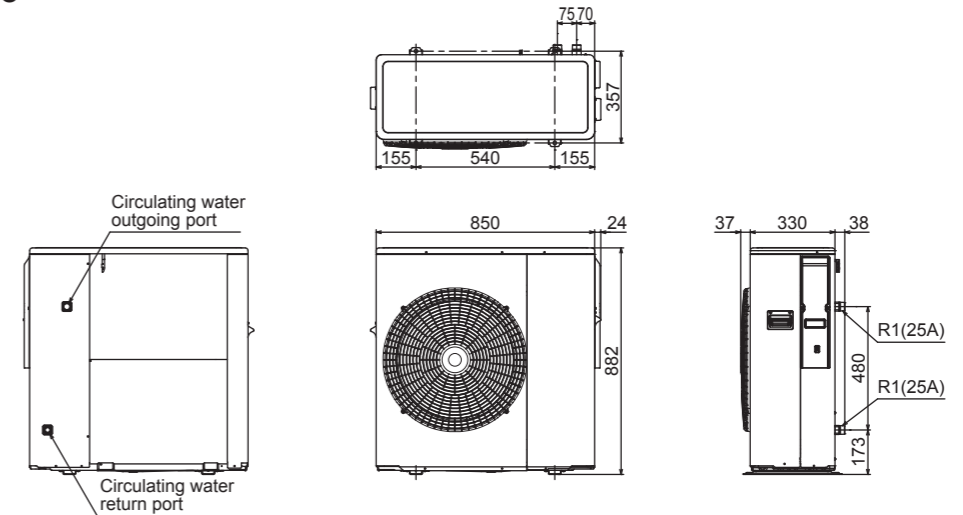


DIMENSIONS

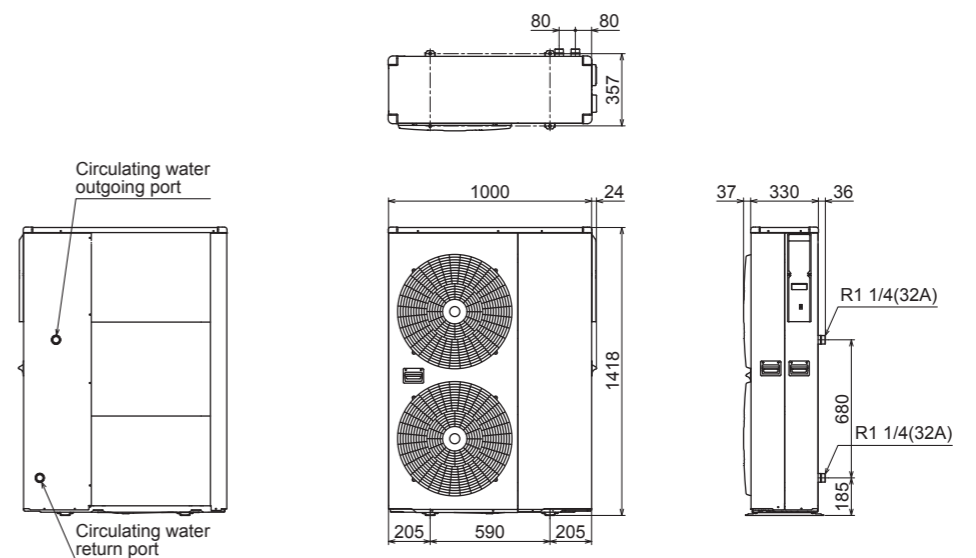
AEYC-0643XU



AEYC-1043XU



AEYC-1242XU · AEYC-1643XU · AEYC-1642XU3



※Specifications are subject to change without prior notice.